



AiP74HC/HCT241

Octal Buffer/Line Driver; 3-state

Product Specification

Specification Revision History:

Version	Date	Description
2012-06-A1	2012-06	New
2023-04-B1	2023-04	Update the template



Contents

1、 General Description.....	3
2、 Block Diagram And Pin Description	6
2.1、 Block Diagram	6
2.2、 Pin Configurations.....	6
2.3、 Pin Description	7
2.4、 Function Table.....	7
3、 Electrical Parameter	8
3.1、 Absolute Maximum Ratings.....	8
3.2、 Recommended Operating Conditions	8
3.3、 Electrical Characteristics	9
3.3.1、 DC Characteristics 1	9
3.3.2、 DC Characteristics 2	10
3.3.3、 DC Characteristics 3	11
3.3.4、 AC Characteristics 1	12
3.3.5、 AC Characteristics 2	13
3.3.6、 AC Characteristics 3	14
4、 Testing Circuit	15
4.1、 AC Testing Circuit	15
4.2、 AC Testing Waveforms.....	15
4.3、 Measurement Points	16
4.4、 Test Data	16
5、 Package Information	17
5.1、 DIP20	17
5.2、 SOP20	18
5.3、 TSSOP20.....	19
6、 Statements And Notes	20
6.1、 The name and content of Hazardous substances or Elements in the product	20
6.2、 Notes	20



1、 General Description

The AiP74HC/HCT241 is an 8-bit buffer/line driver with 3-state outputs. The device can be used as two 4-bit buffers or one 8-bit buffer. The device features two output enables ($\overline{1OE}$ and $2OE$), each controlling four of the 3-state outputs. A HIGH on $\overline{1OE}$ or LOW on $2OE$ causes the associated outputs to assume a high-impedance OFF-state. Inputs include clamp diodes. This enables the use of current limiting resistors to interface inputs to voltages in excess of V_{CC} .

The AiP74HC/HCT241 device features reduced input threshold levels to allow interfacing to TTL logic levels.

Features:

- Input levels:
 - For AiP74HC241: CMOS level
 - For AiP74HCT241: TTL level
- Octal bus interface
- Non-inverting 3-state outputs
- Specified from -40°C to $+125^{\circ}\text{C}$
- Packaging information: DIP20/SOP20/TSSOP20

**Ordering Information:****Tube packing specifications:**

Part number	Packaging form	Marking code	Tube quantity	Boxed tube quantity	Boxed quantity	Notes
AiP74HC241DA20.TB	DIP20	74HC241	18 PCS/tube	40 tube/box	720 PCS/box	Dimensions of plastic enclosure: 26.3mm×6.4mm Pin spacing: 2.54mm
AiP74HCT241DA20.TB	DIP20	74HCT241	18 PCS/tube	40 tube/box	720 PCS/box	Dimensions of plastic enclosure: 26.3mm×6.4mm Pin spacing: 2.54mm
AiP74HC241SA20.TB	SOP20	74HC241	35 PCS/tube	80 tube/box	2800 PCS/box	Dimensions of plastic enclosure: 12.8mm×7.5mm Pin spacing: 1.27mm
AiP74HCT241SA20.TB	SOP20	74HCT241	35 PCS/tube	80 tube/box	2800 PCS/box	Dimensions of plastic enclosure: 12.8mm×7.5mm Pin spacing: 1.27mm
AiP74HC241TA20.TB	TSSOP20	74HC241	70 PCS/tube	200 tube/box	14000 PCS/box	Dimensions of plastic enclosure: 6.5mm×4.4mm Pin spacing: 0.65mm
AiP74HCT241TA20.TB	TSSOP20	74HCT241	70 PCS/tube	200 tube/box	14000 PCS/box	Dimensions of plastic enclosure: 6.5mm×4.4mm Pin spacing: 0.65mm



Reel packing specifications:

Part number	Packaging form	Marking code	Reel quantity	Boxed reel quantity	Notes
AiP74HC241SA20.TR	SOP20	74HC241	2000PCS/reel	2000PCS/box	Dimensions of plastic enclosure: 12.8mm×7.5mm Pin spacing:1.27mm
AiP74HCT241SA20.TR	SOP20	74HCT241	2000PCS/reel	2000PCS/box	Dimensions of plastic enclosure: 12.8mm×7.5mm Pin spacing:1.27mm
AiP74HC241TA20.TR	TSSOP20	74HC241	4000PCS/reel	8000PCS/box	Dimensions of plastic enclosure: 6.5mm×4.4mm Pin spacing:0.65mm
AiP74HCT241TA20.TR	TSSOP20	74HCT241	4000PCS/reel	8000PCS/box	Dimensions of plastic enclosure: 6.5mm×4.4mm Pin spacing:0.65mm

Note: If the physical information is inconsistent with the ordering information, please refer to the actual product.



2、Block Diagram And Pin Description

2.1、Block Diagram

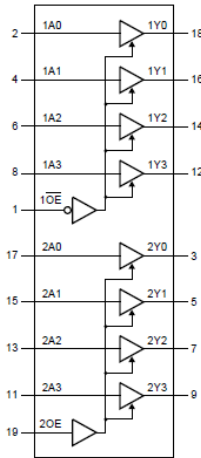


Figure 1. Logic symbol

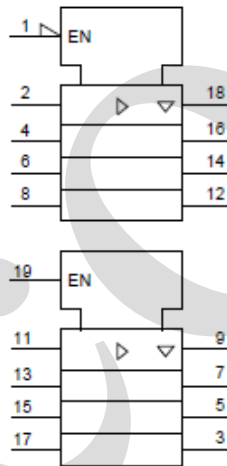
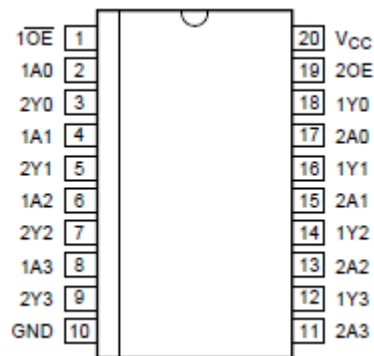


Figure 2. IEC logic symbol

2.2、Pin Configurations





2.3、Pin Description

Pin No.	Pin Name	Description
1	$\overline{1OE}$	output enable input (active LOW)
2	1A0	data input
3	2Y0	bus output
4	1A1	data input
5	2Y1	bus output
6	1A2	data input
7	2Y2	bus output
8	1A3	data input
9	2Y3	bus output
10	GND	ground (0V)
11	2A3	data input
12	1Y3	bus output
13	2A2	data input
14	1Y2	bus output
15	2A1	data input
16	1Y1	bus output
17	2A0	data input
18	1Y0	bus output
19	2OE	output enable input (active HIGH)
20	V _{CC}	supply voltage

2.4、Function Table

Input		Output
$\overline{1OE}$	1An	1Yn
L	L	L
L	H	H
H	X	Z

Note: H=HIGH voltage level; L=LOW voltage level; X=don't care; Z=high-impedance OFF-state.

Input		Output
2OE	2An	2Yn
H	L	L
H	H	H
L	X	Z

Note: H=HIGH voltage level; L=LOW voltage level; X=don't care; Z=high-impedance OFF-state.



3、Electrical Parameter

3.1、Absolute Maximum Ratings

(Voltages are referenced to GND(ground=0V), unless otherwise specified.)

Parameter	Symbol	Conditions	Min.	Max.	Unit
supply voltage	V_{CC}	-	-0.5	+7.0	V
input clamping current	I_{IK}	$V_I < -0.5V$ or $V_I > V_{CC}+0.5V$	-	± 20	mA
output clamping current	I_{OK}	$V_O < -0.5V$ or $V_O > V_{CC}+0.5V$	-	± 20	mA
output current	I_O	$-0.5V < V_O < V_{CC}+0.5V$	-	± 35	mA
supply current	I_{CC}	-	-	70	mA
ground current	I_{GND}	-	-70	-	mA
storage temperature	T_{stg}	-	-65	+150	$^{\circ}C$
total power dissipation	P_{tot}	-	-	500	mW
Soldering temperature	T_L	10s	DIP	245	$^{\circ}C$
			SOP/TSSOP	260	$^{\circ}C$

3.2、Recommended Operating Conditions

Parameter	Symbol	Conditions	Min.	Typ.	Max.	Unit
AiP74HC241						
supply voltage	V_{CC}	-	2.0	5.0	6.0	V
input voltage	V_I	-	0	-	V_{CC}	V
output voltage	V_O	-	0	-	V_{CC}	V
input transition rise and fall rate	$\Delta t/\Delta V$	$V_{CC}=2.0V$	-	-	625	ns/V
		$V_{CC}=4.5V$	-	1.67	139	ns/V
		$V_{CC}=6.0V$	-	-	83	ns/V
ambient temperature	T_{amb}	-	-40	-	+125	$^{\circ}C$
AiP74HCT241						
supply voltage	V_{CC}	-	4.5	5.0	5.5	V
input voltage	V_I	-	0	-	V_{CC}	V
output voltage	V_O	-	0	-	V_{CC}	V
input transition rise and fall rate	$\Delta t/\Delta V$	$V_{CC}=2.0V$	-	-	-	ns/V
		$V_{CC}=4.5V$	-	1.67	139	ns/V
		$V_{CC}=6.0V$	-	-	-	ns/V
ambient temperature	T_{amb}	-	-40	-	+125	$^{\circ}C$



3.3、Electrical Characteristics

3.3.1、DC Characteristics 1

($T_{amb}=25^{\circ}C$, voltages are referenced to GND (ground=0V), unless otherwise specified.)

Parameter	Symbol	Conditions	Min.	Typ.	Max.	Unit	
AiP74HC241							
HIGH-level input voltage	V_{IH}	$V_{CC}=2.0V$	1.5	1.2	-	V	
		$V_{CC}=4.5V$	3.15	2.4	-	V	
		$V_{CC}=6.0V$	4.2	3.2	-	V	
LOW-level input voltage	V_{IL}	$V_{CC}=2.0V$	-	0.8	0.5	V	
		$V_{CC}=4.5V$	-	2.1	1.35	V	
		$V_{CC}=6.0V$	-	2.8	1.8	V	
HIGH-level output voltage	V_{OH}	$V_I = V_{IH} \text{ or } V_{IL}$	$I_O=-20\mu A; V_{CC}=2.0V$	1.9	2.0	-	V
			$I_O=-20\mu A; V_{CC}=4.5V$	4.4	4.5	-	V
			$I_O=-20\mu A; V_{CC}=6.0V$	5.9	6.0	-	V
			$I_O=-6.0mA; V_{CC}=4.5V$	3.98	4.32	-	V
			$I_O=-7.8mA; V_{CC}=6.0V$	5.48	5.81	-	V
LOW-level output voltage	V_{OL}	$V_I = V_{IH} \text{ or } V_{IL}$	$I_O=20\mu A; V_{CC}=2.0V$	-	0	0.1	V
			$I_O=20\mu A; V_{CC}=4.5V$	-	0	0.1	V
			$I_O=20\mu A; V_{CC}=6.0V$	-	0	0.1	V
			$I_O=6.0mA; V_{CC}=4.5V$	-	0.15	0.26	V
			$I_O=7.8mA; V_{CC}=6.0V$	-	0.16	0.26	V
input leakage current	I_I	$V_I=V_{CC} \text{ or } GND;$ $V_{CC}=6.0V$	-	-	± 1.0	μA	
OFF-state output current	I_{OZ}	$V_I=V_{IH} \text{ or } V_{IL}; V_{CC}=6.0V;$ $V_O=V_{CC} \text{ or } GND$	-	-	± 1.0	μA	
supply current	I_{CC}	$V_I=V_{CC} \text{ or } GND; I_O=0A; V_{CC}=6.0V$	-	-	8.0	μA	
input capacitance	C_I	-	-	3.5	-	pF	
AiP74HCT241							
HIGH-level input voltage	V_{IH}	$V_{CC}=4.5V \text{ to } 5.5V$	2.0	1.6	-	V	
LOW-level input voltage	V_{IL}	$V_{CC}=4.5V \text{ to } 5.5V$	-	1.2	0.8	V	
HIGH-level output voltage	V_{OH}	$V_I = V_{IH} \text{ or } V_{IL};$ $V_{CC}=4.5V$	$I_O=-20\mu A$	4.4	4.5	-	V
			$I_O=-6.0mA$	3.98	4.32	-	V
LOW-level output voltage	V_{OL}	$V_I = V_{IH} \text{ or } V_{IL};$ $V_{CC}=4.5V$	$I_O=20\mu A$	-	0	0.1	V
			$I_O=6.0mA$	-	0.16	0.26	V
input leakage current	I_I	$V_I=V_{CC} \text{ or } GND;$ $V_{CC}=5.5V$	-	-	± 1.0	μA	
OFF-state output current	I_{OZ}	$V_I=V_{IH} \text{ or } V_{IL}; V_{CC}=5.5V;$ $V_O=V_{CC} \text{ or } GND$	-	-	± 1.0	μA	
supply current	I_{CC}	$V_I=V_{CC} \text{ or } GND; I_O=0A; V_{CC}=5.5V$	-	-	8.0	μA	
additional supply current	ΔI_{CC}	per input pin; $V_I=V_{CC}-2.1V;$	$nAn; 10\bar{E}$	-	-	252	μA



		other inputs at V_{CC} or GND; $V_{CC}=4.5V$ to $5.5V$; $I_O=0A$	2OE	-	-	540	μA
input capacitance	C_I	-	-	3.5	-	-	pF

3.3.2、DC Characteristics 2

($T_{amb}=-40^{\circ}C$ to $+85^{\circ}C$, voltages are referenced to GND (ground=0V), unless otherwise specified.)

Parameter	Symbol	Conditions	Min.	Typ.	Max.	Unit	
AiP74HC241							
HIGH-level input voltage	V_{IH}	$V_{CC}=2.0V$	1.5	-	-	V	
		$V_{CC}=4.5V$	3.15	-	-	V	
		$V_{CC}=6.0V$	4.2	-	-	V	
LOW-level input voltage	V_{IL}	$V_{CC}=2.0V$	-	-	0.5	V	
		$V_{CC}=4.5V$	-	-	1.35	V	
		$V_{CC}=6.0V$	-	-	1.8	V	
HIGH-level output voltage	V_{OH}	$V_I = V_{IH}$ or V_{IL}	$I_O=-20\mu A$; $V_{CC}=2.0V$	1.9	-	-	V
			$I_O=-20\mu A$; $V_{CC}=4.5V$	4.4	-	-	V
			$I_O=-20\mu A$; $V_{CC}=6.0V$	5.9	-	-	V
			$I_O=-6.0mA$; $V_{CC}=4.5V$	3.84	-	-	V
			$I_O=-7.8mA$; $V_{CC}=6.0V$	5.34	-	-	V
LOW-level output voltage	V_{OL}	$V_I = V_{IH}$ or V_{IL}	$I_O=20\mu A$; $V_{CC}=2.0V$	-	-	0.1	V
			$I_O=20\mu A$; $V_{CC}=4.5V$	-	-	0.1	V
			$I_O=20\mu A$; $V_{CC}=6.0V$	-	-	0.1	V
			$I_O=6.0mA$; $V_{CC}=4.5V$	-	-	0.33	V
			$I_O=7.8mA$; $V_{CC}=6.0V$	-	-	0.33	V
input leakage current	I_I	$V_I=V_{CC}$ or GND; $V_{CC}=6.0V$	-	-	± 1.0	μA	
OFF-state output current	I_{OZ}	$V_I=V_{IH}$ or V_{IL} ; $V_{CC}=6.0V$; $V_O=V_{CC}$ or GND	-	-	± 5.0	μA	
supply current	I_{CC}	$V_I=V_{CC}$ or GND; $I_O=0A$; $V_{CC}=6.0V$	-	-	80	μA	
input capacitance	C_I	-	-	-	-	pF	
AiP74HCT241							
HIGH-level input voltage	V_{IH}	$V_{CC}=4.5V$ to $5.5V$	2.0	-	-	V	
LOW-level input voltage	V_{IL}	$V_{CC}=4.5V$ to $5.5V$	-	-	0.8	V	
HIGH-level output voltage	V_{OH}	$V_I = V_{IH}$ or V_{IL} ; $V_{CC}=4.5V$	$I_O=-20\mu A$	4.4	-	-	V
			$I_O=-6.0mA$	3.84	-	-	V
LOW-level output voltage	V_{OL}	$V_I = V_{IH}$ or V_{IL} ; $V_{CC}=4.5V$	$I_O=20\mu A$	-	-	0.1	V
			$I_O=6.0mA$	-	-	0.33	V
input leakage current	I_I	$V_I=V_{CC}$ or GND; $V_{CC}=5.5V$	-	-	± 1.0	μA	



OFF-state output current	I_{Oz}	$V_I = V_{IH}$ or V_{IL} ; $V_{CC} = 5.5V$; $V_O = V_{CC}$ or GND	-	-	± 5.0	μA	
supply current	I_{CC}	$V_I = V_{CC}$ or GND; $I_O = 0A$; $V_{CC} = 5.5V$	-	-	80	μA	
additional supply current	ΔI_{CC}	per input pin; $V_I = V_{CC} - 2.1V$; other inputs at V_{CC} or GND; $V_{CC} = 4.5V$ to $5.5V$; $I_O = 0A$	nAn; $\overline{1OE}$	-	-	315	μA
			2OE	-	-	675	μA

3.3.3、DC Characteristics 3

($T_{amb} = -40^\circ C$ to $+125^\circ C$, voltages are referenced to GND (ground=0V), unless otherwise specified.)

Parameter	Symbol	Conditions	Min.	Typ.	Max.	Unit	
AiP74HC241							
HIGH-level input voltage	V_{IH}	$V_{CC} = 2.0V$	1.5	-	-	V	
		$V_{CC} = 4.5V$	3.15	-	-	V	
		$V_{CC} = 6.0V$	4.2	-	-	V	
LOW-level input voltage	V_{IL}	$V_{CC} = 2.0V$	-	-	0.5	V	
		$V_{CC} = 4.5V$	-	-	1.35	V	
		$V_{CC} = 6.0V$	-	-	1.8	V	
HIGH-level output voltage	V_{OH}	$V_I = V_{IH}$ or V_{IL}	$I_O = -20\mu A$; $V_{CC} = 2.0V$	1.9	-	-	V
			$I_O = -20\mu A$; $V_{CC} = 4.5V$	4.4	-	-	V
			$I_O = -20\mu A$; $V_{CC} = 6.0V$	5.9	-	-	V
			$I_O = -6.0mA$; $V_{CC} = 4.5V$	3.7	-	-	V
			$I_O = -7.8mA$; $V_{CC} = 6.0V$	5.2	-	-	V
LOW-level output voltage	V_{OL}	$V_I = V_{IH}$ or V_{IL}	$I_O = 20\mu A$; $V_{CC} = 2.0V$	-	-	0.1	V
			$I_O = 20\mu A$; $V_{CC} = 4.5V$	-	-	0.1	V
			$I_O = 20\mu A$; $V_{CC} = 6.0V$	-	-	0.1	V
			$I_O = 6.0mA$; $V_{CC} = 4.5V$	-	-	0.4	V
			$I_O = 7.8mA$; $V_{CC} = 6.0V$	-	-	0.4	V
input leakage current	I_I	$V_I = V_{CC}$ or GND; $V_{CC} = 6.0V$	-	-	± 1.0	μA	
OFF-state output current	I_{Oz}	$V_I = V_{IH}$ or V_{IL} ; $V_{CC} = 6.0V$; $V_O = V_{CC}$ or GND	-	-	± 10	μA	
supply current	I_{CC}	$V_I = V_{CC}$ or GND; $I_O = 0A$; $V_{CC} = 6.0V$	-	-	160	μA	
input capacitance	C_I	-	-	-	-	pF	
AiP74HCT241							
HIGH-level input voltage	V_{IH}	$V_{CC} = 4.5V$ to $5.5V$	2.0	-	-	V	
LOW-level input voltage	V_{IL}	$V_{CC} = 4.5V$ to $5.5V$	-	-	0.8	V	
HIGH-level output voltage	V_{OH}	$V_I = V_{IH}$ or V_{IL} ; $V_{CC} = 4.5V$	$I_O = -20\mu A$	4.4	-	-	V
			$I_O = -6.0mA$	3.7	-	-	V
LOW-level output voltage	V_{OL}	$V_I = V_{IH}$ or V_{IL} ; $V_{CC} = 4.5V$	$I_O = 20\mu A$	-	-	0.1	V
			$I_O = 6.0mA$	-	-	0.4	V



input leakage current	I_I	$V_I=V_{CC}$ or GND; $V_{CC}=5.5V$	-	-	± 1.0	μA	
OFF-state output current	I_{OZ}	$V_I=V_{IH}$ or V_{IL} ; $V_{CC}=5.5V$; $V_O=V_{CC}$ or GND	-	-	± 10	μA	
supply current	I_{CC}	$V_I=V_{CC}$ or GND; $I_O=0A$; $V_{CC}=5.5V$	-	-	160	μA	
additional supply current	ΔI_{CC}	per input pin; $V_I=V_{CC}-2.1V$; other inputs at V_{CC} or GND; $V_{CC}=4.5V$ to $5.5V$; $I_O=0A$	nAn; $1\bar{O}E$	-	-	343	μA
			2OE	-	-	735	μA

3.3.4、AC Characteristics 1

($T_{amb}=25^{\circ}C$, voltages are referenced to GND (ground=0V), unless otherwise specified.)

Parameter	Symbol	Conditions	Min.	Typ.	Max.	Unit	
AiP74HC241							
nAn to nYn propagation delay	t_{pd}	see Figure 4 ^[1]	$V_{CC}=2.0V$	-	25	100	ns
			$V_{CC}=4.5V$	-	9	20	ns
			$V_{CC}=5.0V$; $C_L=15pF$	-	7	-	ns
			$V_{CC}=6.0V$	-	7	17	ns
$1\bar{O}E$ to 1Yn or 2OE to 2Yn enable time	t_{en}	see Figure 5; see Figure 6 ^[2]	$V_{CC}=2.0V$	-	30	150	ns
			$V_{CC}=4.5V$	-	11	30	ns
			$V_{CC}=6.0V$	-	9	26	ns
$1\bar{O}E$ to 1Yn or 2OE to 2Yn disable time	t_{dis}	see Figure 5; see Figure 6 ^[3]	$V_{CC}=2.0V$	-	39	150	ns
			$V_{CC}=4.5V$	-	14	30	ns
			$V_{CC}=6.0V$	-	11	26	ns
transition time	t_t	see Figure 4 ^[4]	$V_{CC}=2.0V$	-	14	60	ns
			$V_{CC}=4.5V$	-	5	12	ns
			$V_{CC}=6.0V$	-	4	10	ns
power dissipation capacitance	C_{PD}	per buffer; $V_I=GND$ to V_{CC} ^[5]	-	30	-	pF	
AiP74HCT241							
nAn to nYn propagation delay	t_{pd}	see Figure 4 ^[1]	$V_{CC}=4.5V$	-	13	22	ns
			$V_{CC}=5.0V$; $C_L=15pF$	-	11	-	ns
$1\bar{O}E$ to 1Yn or 2OE to 2Yn enable time	t_{en}	$V_{CC}=4.5V$; see Figure 5, 6 ^[2]	-	15	30	ns	
$1\bar{O}E$ to 1Yn or 2OE to 2Yn disable time	t_{dis}	$V_{CC}=4.5V$; see Figure 5, 6 ^[3]	-	18	30	ns	
transition time	t_t	$V_{CC}=4.5V$; see Figure 4 ^[4]	-	5	12	ns	
power dissipation capacitance	C_{PD}	per buffer; $V_I=GND$ to $V_{CC}-1.5V$ ^[5]	-	30	-	pF	

Note:

[1] t_{pd} is the same as t_{PLH} and t_{PHL} .

[2] t_{en} is the same as t_{PZL} and t_{PZH} .

[3] t_{dis} is the same as t_{PLZ} and t_{PHZ} .

[4] t_t is the same as t_{THL} and t_{TLH} .

[5] C_{PD} is used to determine the dynamic power dissipation (P_D in uW).



$$P_D = C_{PD} \times V_{CC}^2 \times f_i \times N + \sum (C_L \times V_{CC}^2 \times f_o) \text{ where:}$$

f_i = input frequency in MHz;

f_o = output frequency in MHz;

C_L = output load capacitance in pF;

V_{CC} = supply voltage in V;

N = number of inputs switching;

$\sum (C_L \times V_{CC}^2 \times f_o)$ = sum of outputs.

3.3.5. AC Characteristics 2

($T_{amb} = -40^\circ\text{C}$ to $+85^\circ\text{C}$, voltages are referenced to GND (ground=0V), unless otherwise specified.)

Parameter	Symbol	Conditions	Min.	Typ.	Max.	Unit	
AiP74HC241							
nAn to nYn propagation delay	t_{pd}	see Figure 4 ^[1]	$V_{CC}=2.0\text{V}$	-	-	125	ns
			$V_{CC}=4.5\text{V}$	-	-	25	ns
			$V_{CC}=5.0\text{V}; C_L=15\text{pF}$	-	-	-	ns
			$V_{CC}=6.0\text{V}$	-	-	21	ns
$1\overline{\text{OE}}$ to 1Yn or 2OE to 2Yn enable time	t_{en}	see Figure 5; see Figure 6 ^[2]	$V_{CC}=2.0\text{V}$	-	-	190	ns
			$V_{CC}=4.5\text{V}$	-	-	38	ns
			$V_{CC}=6.0\text{V}$	-	-	33	ns
$1\overline{\text{OE}}$ to 1Yn or 2OE to 2Yn disable time	t_{dis}	see Figure 5; see Figure 6 ^[3]	$V_{CC}=2.0\text{V}$	-	-	190	ns
			$V_{CC}=4.5\text{V}$	-	-	38	ns
			$V_{CC}=6.0\text{V}$	-	-	33	ns
transition time	t_t	see Figure 4 ^[4]	$V_{CC}=2.0\text{V}$	-	-	75	ns
			$V_{CC}=4.5\text{V}$	-	-	15	ns
			$V_{CC}=6.0\text{V}$	-	-	13	ns
AiP74HCT241							
nAn to nYn propagation delay	t_{pd}	see Figure 4 ^[1]	$V_{CC}=4.5\text{V}$	-	-	28	ns
			$V_{CC}=5.0\text{V}; C_L=15\text{pF}$	-	-	-	ns
$1\overline{\text{OE}}$ to 1Yn or 2OE to 2Yn enable time	t_{en}	$V_{CC}=4.5\text{V}$; see Figure 5, 6 ^[2]	-	-	38	ns	
$1\overline{\text{OE}}$ to 1Yn or 2OE to 2Yn disable time	t_{dis}	$V_{CC}=4.5\text{V}$; see Figure 5, 6 ^[3]	-	-	38	ns	
transition time	t_t	$V_{CC}=4.5\text{V}$; see Figure 4 ^[4]	-	-	15	ns	

Note:

[1] t_{pd} is the same as t_{PLH} and t_{PHL} .

[2] t_{en} is the same as t_{PZL} and t_{PZH} .

[3] t_{dis} is the same as t_{PLZ} and t_{PHZ} .

[4] t_t is the same as t_{THL} and t_{TLH} .



3.3.6、AC Characteristics 3

($T_{amb} = -40^{\circ}\text{C}$ to $+125^{\circ}\text{C}$, voltages are referenced to GND (ground=0V), unless otherwise specified.)

Parameter	Symbol	Conditions	Min.	Typ.	Max.	Unit	
AiP74HC241							
nAn to nYn propagation delay	t_{pd}	see Figure 4 ^[1]	$V_{CC}=2.0\text{V}$	-	-	150	ns
			$V_{CC}=4.5\text{V}$	-	-	30	ns
			$V_{CC}=5.0\text{V}; C_L=15\text{pF}$	-	-	-	ns
			$V_{CC}=6.0\text{V}$	-	-	26	ns
$1\bar{O}E$ to 1Yn or 2OE to 2Yn enable time	t_{en}	see Figure 5; see Figure 6 ^[2]	$V_{CC}=2.0\text{V}$	-	-	225	ns
			$V_{CC}=4.5\text{V}$	-	-	45	ns
			$V_{CC}=6.0\text{V}$	-	-	38	ns
$1\bar{O}E$ to 1Yn or 2OE to 2Yn disable time	t_{dis}	see Figure 5; see Figure 6 ^[3]	$V_{CC}=2.0\text{V}$	-	-	225	ns
			$V_{CC}=4.5\text{V}$	-	-	45	ns
			$V_{CC}=6.0\text{V}$	-	-	38	ns
transition time	t_t	see Figure 4 ^[4]	$V_{CC}=2.0\text{V}$	-	-	90	ns
			$V_{CC}=4.5\text{V}$	-	-	18	ns
			$V_{CC}=6.0\text{V}$	-	-	15	ns
AiP74HCT241							
nAn to nYn propagation delay	t_{pd}	see Figure 4 ^[1]	$V_{CC}=4.5\text{V}$	-	-	33	ns
			$V_{CC}=5.0\text{V}; C_L=15\text{pF}$	-	-	-	ns
$1\bar{O}E$ to 1Yn or 2OE to 2Yn enable time	t_{en}	$V_{CC}=4.5\text{V};$ see Figure 5, 6 ^[2]	-	-	45	ns	
$1\bar{O}E$ to 1Yn or 2OE to 2Yn disable time	t_{dis}	$V_{CC}=4.5\text{V};$ see Figure 5, 6 ^[3]	-	-	45	ns	
transition time	t_t	$V_{CC}=4.5\text{V};$ see Figure 4 ^[4]	-	-	18	ns	

Note:

[1] t_{pd} is the same as t_{PLH} and t_{PHL} .

[2] t_{en} is the same as t_{PZL} and t_{PZH} .

[3] t_{dis} is the same as t_{PLZ} and t_{PHZ} .

[4] t_t is the same as t_{THL} and t_{TLH} .



4、 Testing Circuit

4.1、 AC Testing Circuit

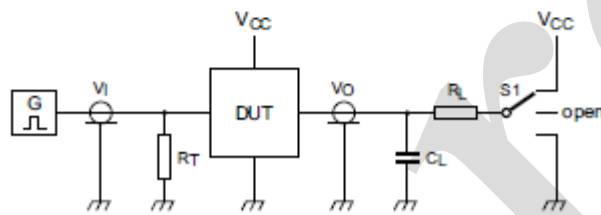
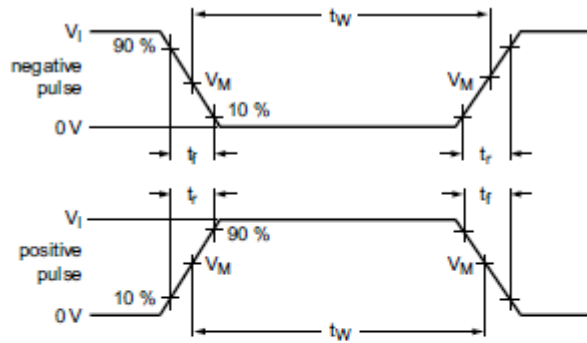


Figure 3. Test circuit for measuring switching times

Definitions for test circuit:

R_L =Load resistance.

C_L =Load capacitance including jig and probe capacitance.

R_T =Termination resistance should be equal to the output impedance Z_o of the pulse generator.

S1=Test selection switch.

4.2、 AC Testing Waveforms

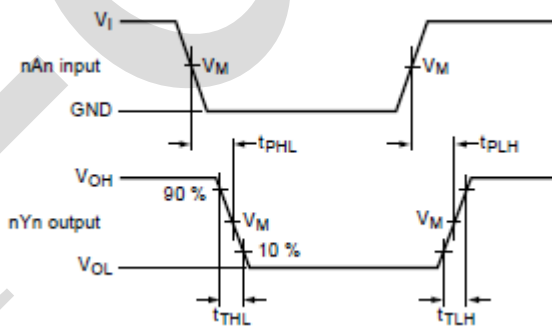


Figure 4. Input (nAn) to output (nYn) propagation delays and output transition times

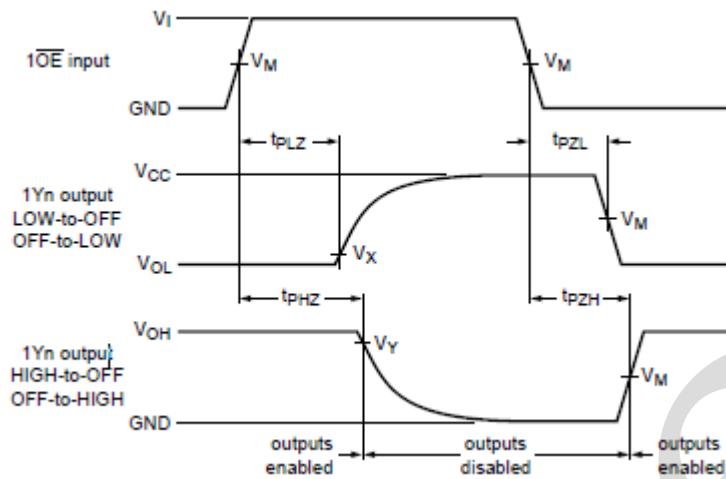


Figure 5. 3-state output (1OE to 1Yn) enable and disable times

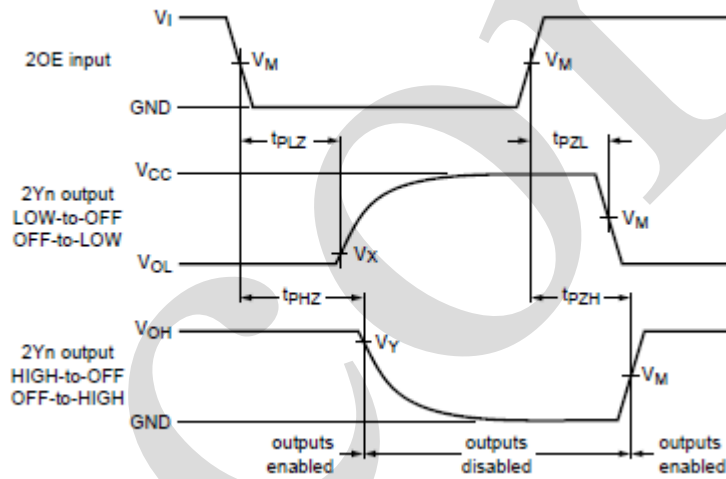


Figure 6. 3-state output (2OE to 2Yn) enable and disable times

4.3. Measurement Points

Type	Input		Output		
	V_I	V_M	V_M	V_X	V_Y
AiP74HC241	GND to V_{CC}	$0.5 \times V_{CC}$	$0.5 \times V_{CC}$	$0.1 \times V_{CC}$	$0.9 \times V_{CC}$
AiP74HCT241	GND to 3V	1.3V	1.3V	$0.1 \times V_{CC}$	$0.9 \times V_{CC}$

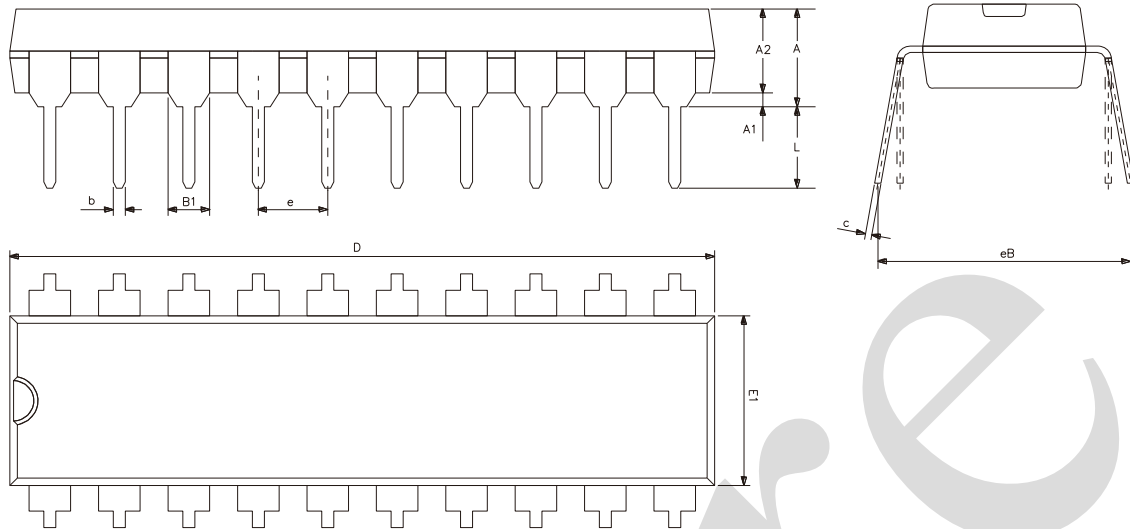
4.4. Test Data

Type	Input		Load		S1 position		
	V_I	t_r, t_f	C_L	R_L	t_{PHL}, t_{PLH}	t_{PZH}, t_{PHZ}	t_{PZL}, t_{PLZ}
AiP74HC241	GND to V_{CC}	6ns	50pF	1k Ω	open	GND	V_{CC}
AiP74HCT241	GND to 3V	6ns	50pF	1k Ω	open	GND	V_{CC}



5、Package Information

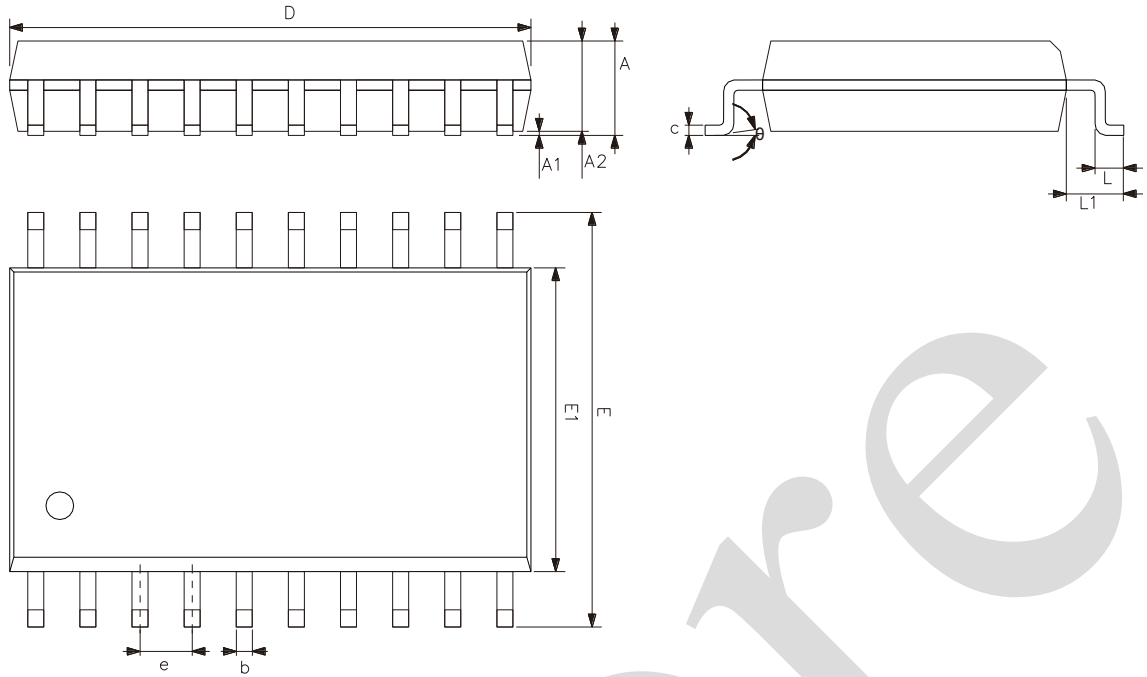
5.1、DIP20



Symbol	Dimensions (mm)	
	Min.	Max.
A	3.60	5.33
A1	0.51	-
A2	3.20	3.60
b	0.36	0.53
B1	1.52	
c	0.204	0.36
D	25.70	26.54
E1	6.20	6.75
e	2.54	
eB	7.62	9.30
L	3.00	3.60



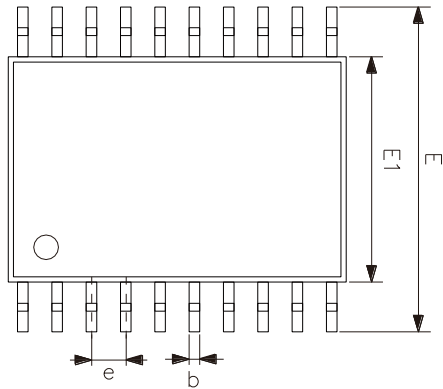
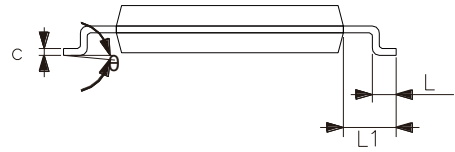
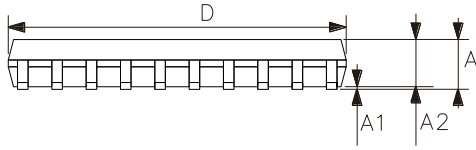
5.2、SOP20



Symbol	Dimensions (mm)	
	Min.	Max.
A	2.47	2.65
A1	0.05	0.30
A2	2.20	2.44
b	0.35	0.50
c	0.15	0.30
D	12.54	12.94
E	10.00	10.60
E1	7.30	7.70
e	1.27	
L	0.40	1.05
L1	1.30	1.50
θ	0°	8°



5.3、TSSOP20



Symbol	Dimensions (mm)	
	Min.	Max.
A	-	1.20
A1	0.05	0.15
A2	0.80	1.05
b	0.19	0.30
c	0.09	0.20
D	6.40	6.60
E1	4.30	4.50
E	6.20	6.60
e	0.65	
L	0.45	0.75
L1	1.00	
θ	0°	8°



6、 Statements And Notes

6.1、 The name and content of Hazardous substances or Elements in the product

Part name	Hazardous substances or Elements									
	Lead and lead compounds	Mercury and mercury compounds	Cadmium and cadmium compounds	Hexavalent chromium compounds	Polybrominated biphenyls	Polybrominated biphenyl ethers	Dibutyl phthalate	Butylbenzyl phthalate	Di-2-ethylhexyl phthalate	Diisobutyl phthalate
Lead frame	○	○	○	○	○	○	○	○	○	○
Plastic resin	○	○	○	○	○	○	○	○	○	○
Chip	○	○	○	○	○	○	○	○	○	○
The lead	○	○	○	○	○	○	○	○	○	○
Plastic sheet installed	○	○	○	○	○	○	○	○	○	○
explanation	○: Indicates that the content of hazardous substances or elements in the detection limit of the following the SJ/T11363-2006 standard. ×: Indicates that the content of hazardous substances or elements exceeding the SJ/T11363-2006 Standard limit requirements.									

6.2、 Notes

We Recommend you to read this chapter carefully before using this product.

The information in this chapter is provided for reference only and i-Core disclaims any express or implied warranties, including but not limited to applicability, special application or non-infringement of third party rights.

This product is not suitable for critical equipment such as life-saving, life-sustaining or safety equipment. It is also not suitable for applications that may result in personal injury, death, or serious property or environmental damage due to product malfunction or failure. I-Core will not be liable for any damages incurred by the customers at their own risk for such applications.

The customer is responsible for conducting all necessary tests i-Core's application to avoid failure in the application or the application of the customer's third party users. I-Core does not accept any liability.

The Company reserves the right to change or improve the information published in this chapter at any time.

The information in this chapter are subject to change without notice. We recommend the customer to consult our sales staff before purchasing.

Please obtain related materials form i-Core's regular channels and we are not responsible for its content if it is provided by sources other than our company.

In case of any conflict between the Chinese and English version, the version is subject to the Chinese one.